

Glue end-cap accessory Specification

# AS-NNR18GH0-EC AS-NNR18GS0-EC



## 【Features】

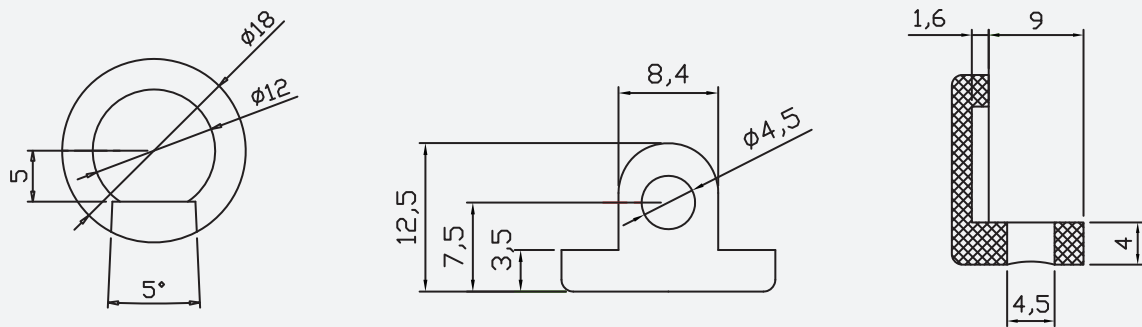
- Material: silicone;
- Operating environment: indoor;
- Molding time: 1h;
- Protection class: IP65;
- Warranty: 3 years.

## 【Mechanical Parameter】

AS-NNR18GH0-EC



AS-NNR18GS0-EC



## 【Specification information】

Describe	Accessories Picture	Order model	Outlet hole diameter (mm)	Quantity/ case (PCS)	Net weight (kg)	Per box net weight (kg)	Gross weight (kg)	Packages (mm)	Range of applications
Glued cap		AS-NNR18GH0-EC	4.5	500	0.0003	0.15	0.8	250*250*150	suit to:NNR18
Glued cap		AS-NNR18GS0-EC	4.5	500	0.0003	0.15	0.8	250*250*150	suit to:NNR18
Acid glue		AS-PG-0002	/	50	0.014	0.7	1.2	250*250*150	10ml/pcs

## 【Precautions】

- Cutting neon strip and plugging should be done in a dry environment.
- Please use professional cutting tools when cutting neon strip.
- Please use the right amount of glue, otherwise it will affect the appearance and lighting effect.
- After finishing the gluing, it needs to be left for 1-2 hours to ensure the glue is solidified.